

COUNT	DESCRIPTION OF REVISIONS	BY	CHKD	DATE	COUNT	DESCRIPTION OF REVISIONS	BY	CHKD	DATE

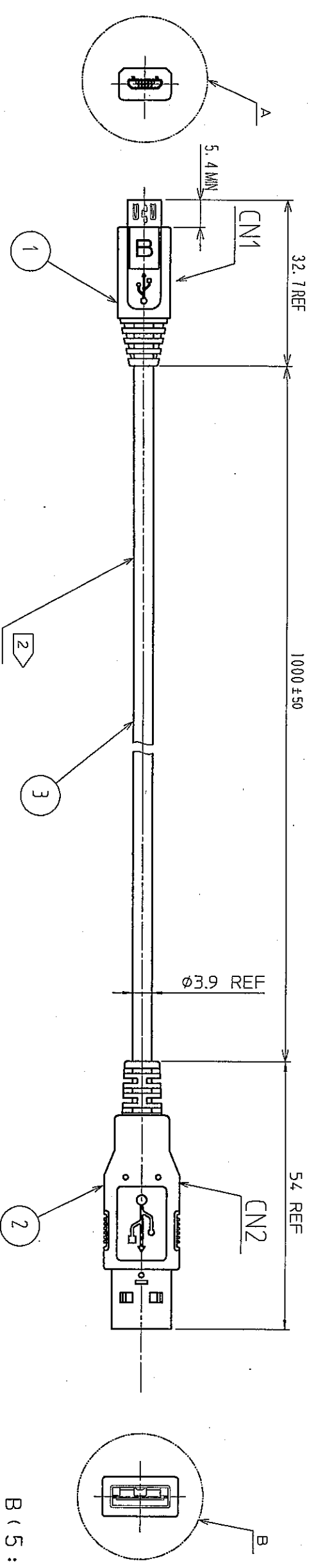
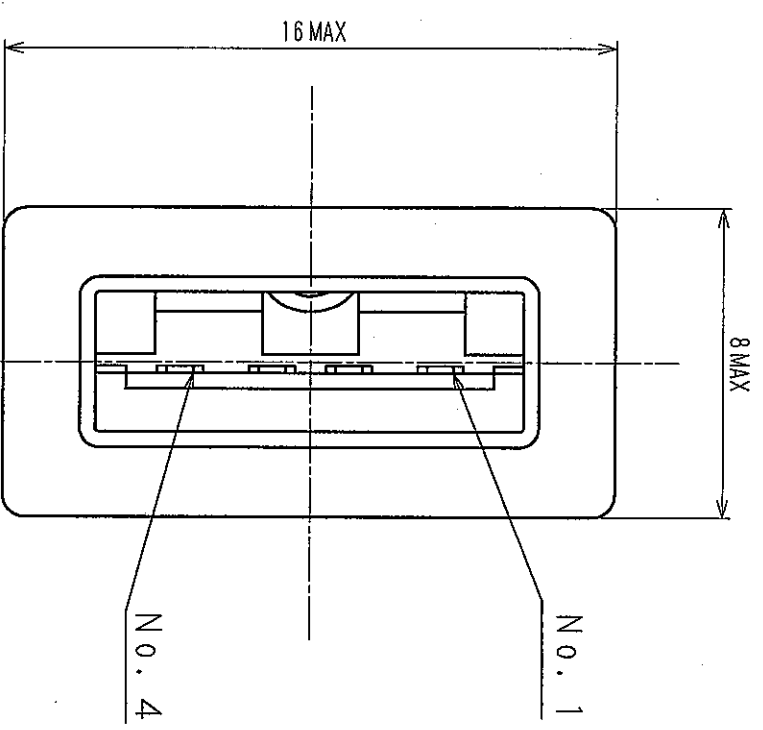
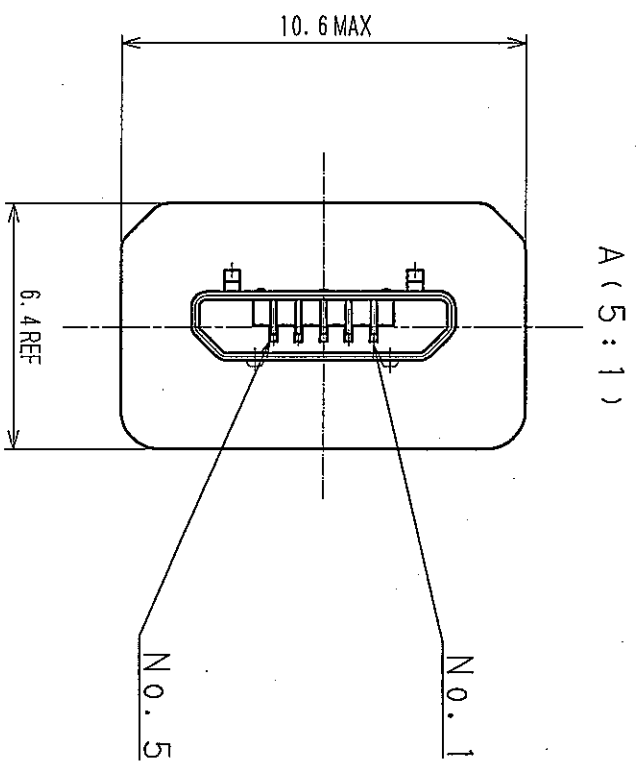


TABLE 1 WIRING DIAGRAM

CN1 CONTACT No.	1	2	3	4	5	SHELL
SIGNAL	VCC	DATA -	DATA +	NON WIRING	GND	BRAIDED WIRE + DRAIN WIRE
WIRING COLOR	RED	WHITE	GREEN		BLACK	
CN2 CONTACT No.	1	2	3		4	SHELL



NOTES
 1 REFER TO TABLE-1 FOR WIRING OF CN1 AND CN2.
 2 THIS PRODUCT IS USING THE USB CABLE(USB2.0 1PXAWG28 + 2CXAWG28)

1	CONNECTOR	ZX40-B-5S	FINISH, REMARKS	3	INTERFACE CABLE	2	CONNECTOR	STD A PLUG	2	BLACK	
NO.	MATERIAL			NO.	MATERIAL						
CODE NO.(OLD)		DRAWN		DESIGNED		CHECKED		APPROVED		RELEASED	
CL		<i>R. Koyama</i>		<i>R. Koyama</i>		<i>S. Koyama</i>		<i>S. Koyama</i>		ENG 07.1.11 DEPT	
DRAWING FOR REFERENCE This is subject to change without notice.											
SCALE		DRAWING NO.		PART NO.		CODE NO.		DATE		REV	
1 : 1		TEDC3-123632		ZX40-B-5S-1000-STDA		CL		07.1.11		1/1	
UNITS		HRS		HROSE ELECTRIC CO., LTD							